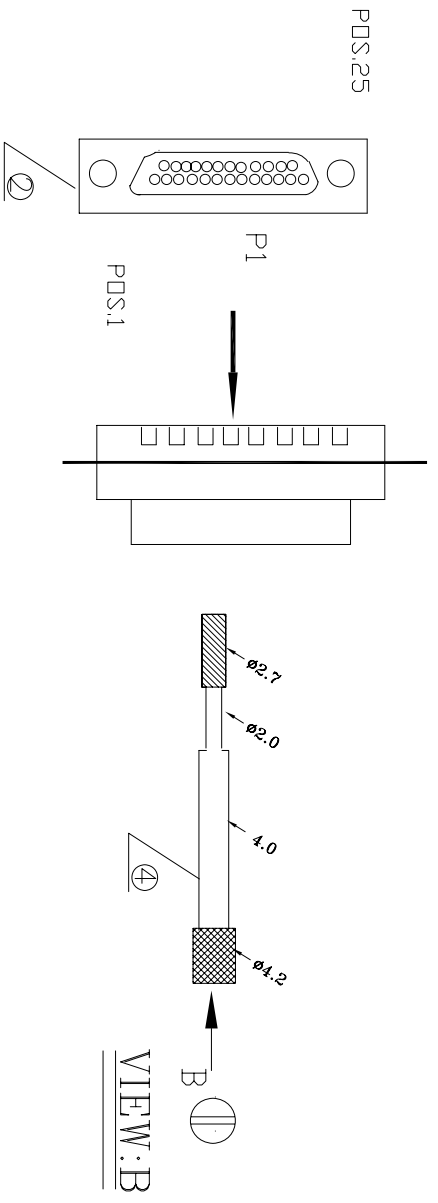
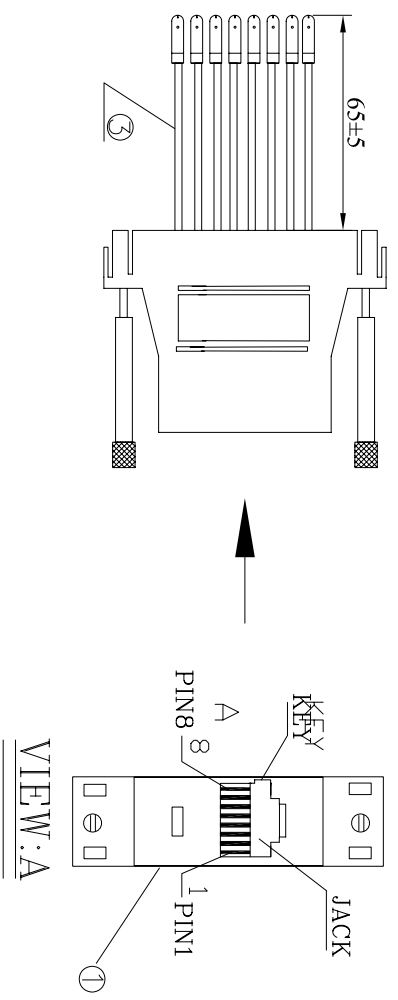


Signature	Revision History	Date	Rev.
N.XU	For Bulk Production	Nov.07.07	01

A the pin should not be inserted



- CONFIGURATION:
RJ45 DB25M
- 1 — BLUE
 - 2 — ORANGE
 - 3 — BLACK
 - 4 — RED
 - 5 — GREEN
 - 6 — YELLOW
 - 7 — BROWN
 - 8 — WHITE

NOTES:

- RoHS COMPLIANT
1. RJ45 JACK ASS'Y SNAP HOOD COLOR: BEIGE (B02)
 2. CONNECTOR DB25M PIN GOLD PLATED 3U" INSULATION: BLACK
 3. WIRE UL1061 #26*8C
 4. SCREW: #4-40UNC 5*51MM

Drawn by	Nov.07.2007	Name	N.Xu
Checked by	Nov.07.2007	T. Aufemmann	
Approved by			

Part No.	AT-23054
Title.	DB25M TO RJ45 JACK

ASSMANN
Electronic GmbH

Scale	N/A	Sheet	1/1
Unit	MM		

1	2	3	4	5	6	7	
H	G	F	E	D	C	B	A